



# HD Pro Headlocks

Durable and cow friendly with a functional and rugged design

# HD Pro Headlocks

HD Pro Headlocks are the headlocks of choice to some of the largest dairies in the world.

HD Pro Headlocks feature the latest design improvement to further increase the efficiency of safely handling cattle, while creating less stress on the animals. They also improve the efficiency of day-to-day operations such as breeding, vaccination, and many other herd management tasks.



Swing arm support.



Positive locking system.



Cow friendly design.

**One-piece swing arm. Durable** — deep rib support to the end of the arm increases strength. Improved double bushing — provides better arm movement.

**All hot-dipped galvanized construction.**

**“Lock up” position** — positively locks cows in place.

**Flapper guard** — new design for better performance.

**D-ring lifter** — allows safe and easy release of individual cows, while others are retained.

**Solid 5/8” steel control rod** — provides long life for the harshest environments.

**Latch mounted on the frame for long life.**

**Cow friendly** — 17” wide opening allows for easy entrance.

**“Down and out” feature** — 17” wide bottom opening allows for easy cow removal.

**Rubber bumper** — reduces noise

**Adjustable 1.66 pipe on medium-size headlock.**

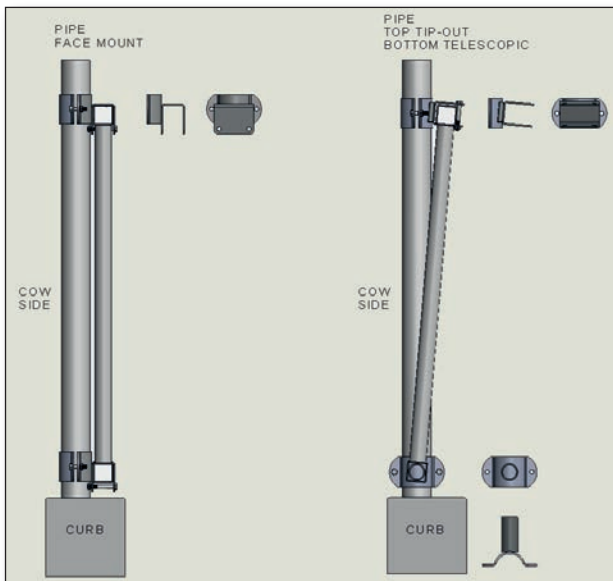
## HD Pro Headlock Models

HD Pro Headlocks are offered in 11 models, with various lengths and number of locks to accommodate any animal size.

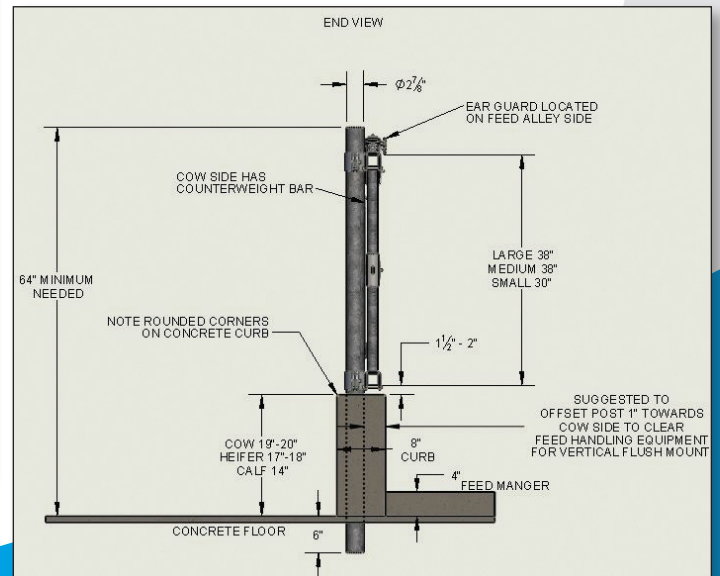
| Model  | Animal Size              | Length | No. of Locks | Neck Size |
|--------|--------------------------|--------|--------------|-----------|
| L-8-4  | Large (900 lbs. or over) | 8 ft.  | 4            | 7 1/2”    |
| L-10-4 | Large (900 lbs. or over) | 10 ft. | 4            | 7 1/2”    |
| L-10-5 | Large (900 lbs. or over) | 10 ft. | 5            | 7 1/2”    |
| L-12-6 | Large (900 lbs. or over) | 12 ft. | 6            | 7 1/2”    |
| M-8-5  | Medium (400 to 900 lbs.) | 8 ft.  | 5            | 6” or 7”  |
| M-10-6 | Medium (400 to 900 lbs.) | 10 ft. | 6            | 6” or 7”  |
| M-12-7 | Medium (400 to 900 lbs.) | 12 ft. | 7            | 6” or 7”  |
| S-8-6  | Small (up to 500 lbs.)   | 8 ft.  | 6            | 5 1/2”    |
| S-10-7 | Small (up to 500 lbs.)   | 10 ft. | 7            | 5 1/2”    |
| S-10-8 | Small (up to 500 lbs.)   | 10 ft. | 8            | 5”        |
| S-12-8 | Small (up to 500 lbs.)   | 12 ft. | 8            | 5 1/2”    |



## Suggested mounting dimensions



Mounting options shown on 2 7/8" O.D. schedule 40 pipe.



Suggested surface mounting options shown on 2 1/2" O.D. schedule 40 post.



## We live our values.

Excellence • Passion • Integrity • Responsibility • GEA-versity

GEA Group is a global engineering company with multi-billion euro sales and operations in more than 50 countries. Founded in 1881, the company is one of the largest providers of innovative equipment and process technology. GEA Group is listed in the STOXX® Europe 600 Index.

### GEA North America

GEA Farm Technologies, Inc.  
1880 Country Farm Drive, Naperville, IL 60563  
Toll Free: 1.877.WS.DAIRY or 1.877.973.2479

GEA Farm Technologies Canada Inc.  
4591 boulevard St-Joseph, Drummondville, QC J2A 0C6  
Toll Free: 1.877.WS.DAIRY or 1.877.973.2479

[gea.com](http://gea.com)